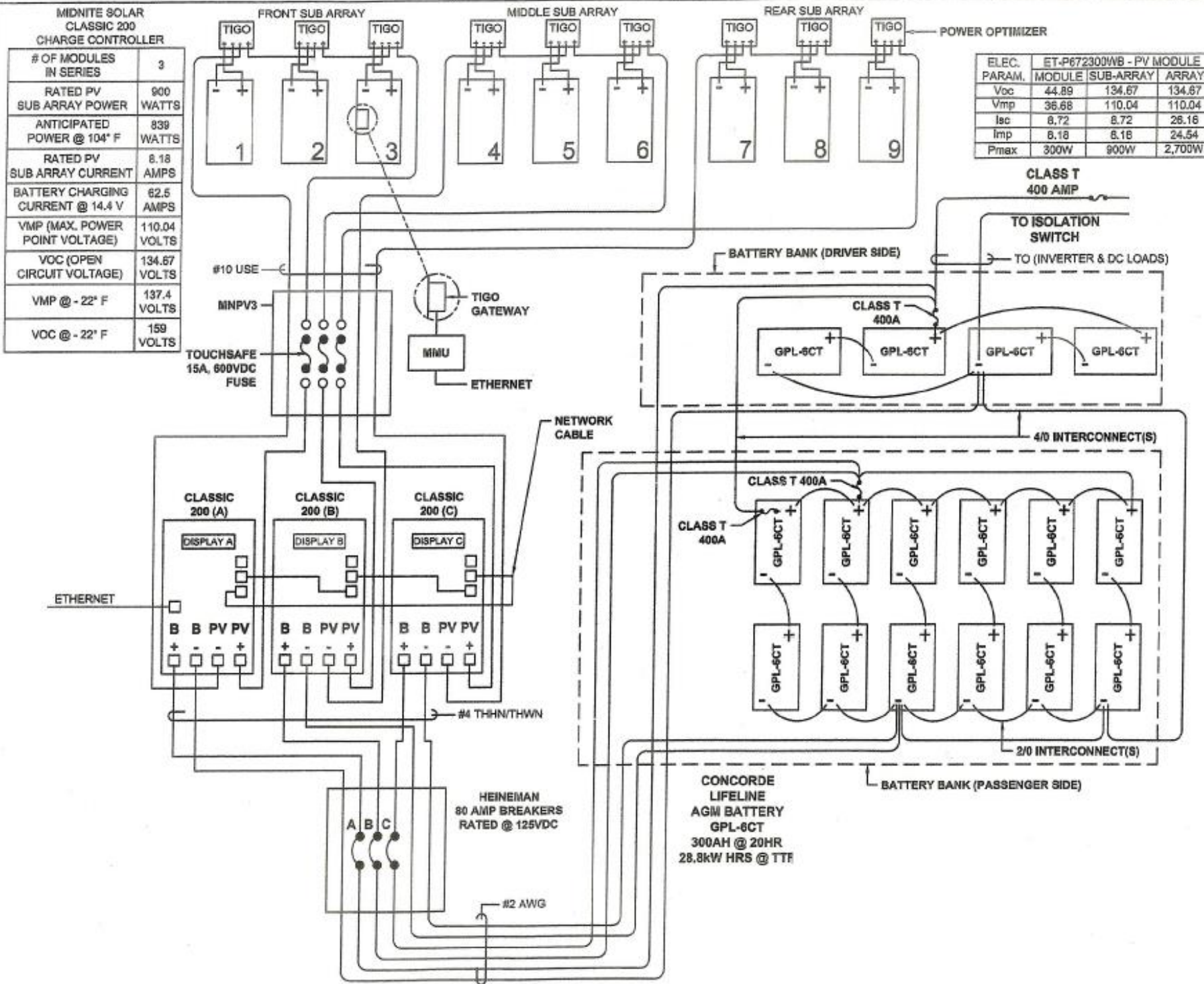


MIDNITE SOLAR  
CLASSIC 200  
CHARGE CONTROLLER

# OF MODULES IN SERIES	3
RATED PV SUB ARRAY POWER	900 WATTS
ANTICIPATED POWER @ 104° F	839 WATTS
RATED PV SUB ARRAY CURRENT	8.18 AMPS
BATTERY CHARGING CURRENT @ 14.4 V	62.5 AMPS
VMP (MAX. POWER POINT VOLTAGE)	110.04 VOLTS
VOC (OPEN CIRCUIT VOLTAGE)	134.67 VOLTS
VMP @ - 22° F	137.4 VOLTS
VOC @ - 22° F	159 VOLTS

ELEC. PARAM.	ET-P672300WB - PV MODULE	SUB-ARRAY	ARRAY
Voc	44.89	134.67	134.67
Vmp	36.68	110.04	110.04
Isc	8.72	8.72	26.16
Imp	8.18	8.18	24.54
Pmax	300W	900W	2,700W



CLASS T  
400 AMP

TO ISOLATION  
SWITCH

TO (INVERTER & DC LOADS)

CLASS T  
400A

CLASS T  
400A

CLASS T  
400A

BATTERY BANK (PASSENGER SIDE)

CONCORDE  
LIFELINE  
AGM BATTERY  
GPL-6CT  
300AH @ 20HR  
28.8KW HRS @ TTF

HEINEMAN  
80 AMP BREAKERS  
RATED @ 125VDC

NETWORK  
CABLE

MMU

ETHERNET

TOUCHSAFE  
15A, 600VDC  
FUSE

#10 USE

MNPV3

CLASSIC  
200 (A)

CLASSIC  
200 (B)

CLASSIC  
200 (C)

DISPLAY A

DISPLAY B

DISPLAY C

B B PV PV

B B PV PV

B B PV PV

#4 THHN/THWN

A B C

#2 AWG

4/0 INTERCONNECT(S)

2/0 INTERCONNECT(S)

POWER OPTIMIZER